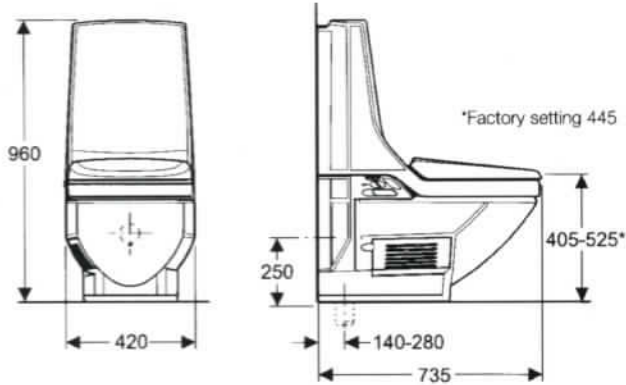


Balena 8000 AP Care, floor standing

Includes: floor standing WC ceramic with ceramicplus®, plastic casing, remote control, infrared remote, fastening material and connection parts, waste fitting, isolation valve 1/2" BSP.

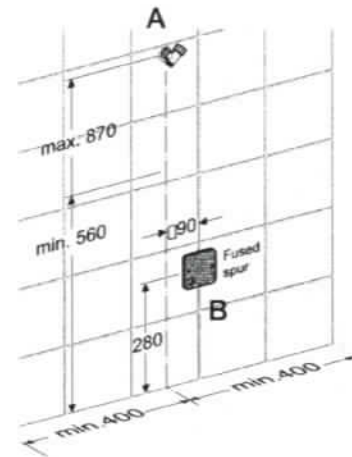
Features: warm water shower, dryer, air purification, Lady shower, seat height adjustable at installation, dual flush, remote flushing, adjustable shower and dryer arm settings.

Balena 8000 AP Care, white **185.200.11.1**



Protection class	IP x4
Nominal voltage	230 V AC / 50 Hz, unswitched fused spur. Fused at 5A. Isolation switch to be installed outside zone 3.
Length of main lead	500 mm
Power Input	1000 W
Pressure range	1-10 bar (mains connection)
Dryer temperature	20-45° C adjustable
Water temperature	max. 39° C adjustable
Water flow	Adjustable from 1.4 to 5.5 litres/min.
Water heater capacity	1.8 litres
Air volume through active carbon filter	10m ³ / h
Weight	45 kg
Dual flush cistern	6/3 l
Height adjustable	For ease of standing up and side transfer from wheelchair the Balena 8000 AP Care can be installed to a seat height of up to 525 mm.
Remote controls	The remote control is included with the product and allows individual settings to suit each user's needs. The infrared remote offers hands free operation for less abled users.
Soft seat (optional)	250.063.00.1

Note: In acc. with VDE0 100, part 701 and SEV 1000-2. 1995 electrical appliances for bathrooms and showering rooms may be installed only in protection zone 3. Electrical installation on the building site should be carried out by authorised experts only and in accordance with the current edition of I.E.E. Regulations.



- A** Install isolation valve centred behind the cistern, or on the left/right.
- B** Nominal voltage 230 V / 50 Hz
Note: Connect to an unswitched fused spur.
- C** Waste pipe connection is possible from the floor, the wall or from left/right.

